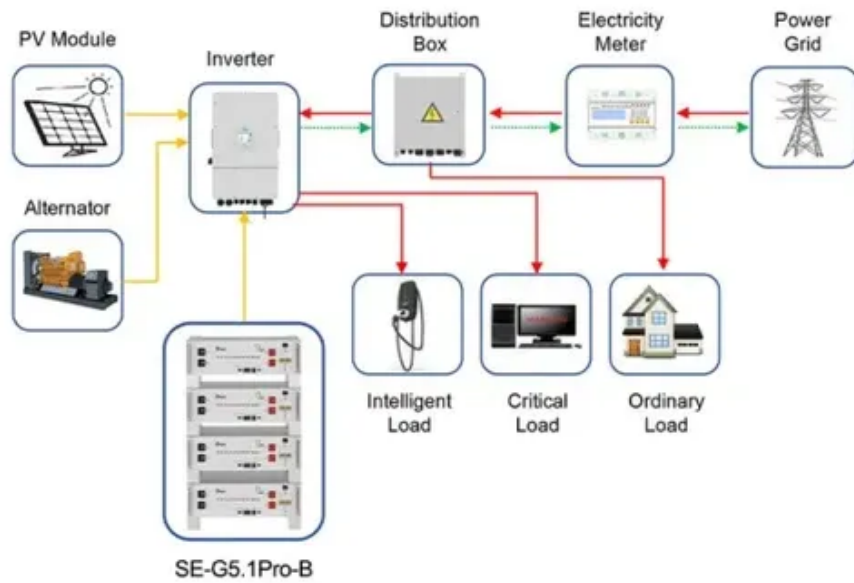




Egypt emergency energy storage vehicle equipment



Application scenarios of energy storage battery products





Overview

The Emergency Power Supply Vehicle comes equipped with a high-capacity generator system, advanced power distribution panels, and rapid connection interfaces that allow it to deliver stable electricity to critical facilities such as hospitals, command centers, shelters, and disaster. The Emergency Power Supply Vehicle comes equipped with a high-capacity generator system, advanced power distribution panels, and rapid connection interfaces that allow it to deliver stable electricity to critical facilities such as hospitals, command centers, shelters, and disaster. vehicles are often used in this scenario. Battery energy storage systems are used to restore power to blackout areas. Mobile or stationary Energy. Cairo, Egypt - December 4th, 2025 - In a decisive move to strengthen its national emergency response capabilities, Egypt has officially deployed a state-of-the-art Emergency Power Supply Vehicle, delivered by CSCTRUCK Fire Rescue Truck. The company has signed contracts with the Egyptian government to develop two large-scale battery energy storage projects with a combined capacity of 1,500 MWh. These projects aim to enhance grid stability and increase the. Cairo, Egypt, June 15, 2025 - IFC today announced an investment to support Egypt's first utility-scale battery energy storage system (BESS), deepening its partnership with AMEA Power, a leading renewable energy developer in Africa, the Middle East, and Central Asia, and the Government of Egypt to. In June 2025, the International Finance Corporation (IFC) and AMEA Power announced the launch of Egypt's first utility-scale BESS. The project is backed by a \$72 million debt. gypt.



Egypt emergency energy storage vehicle equipment



IFC and AMEA Power Launch Egypt's First Battery Energy Storage ...

The BESS integration marks Egypt's first project to be implemented under the Government of Egypt's fast-track 4GW Emergency Renewable Energy Program, which aims to meet ...

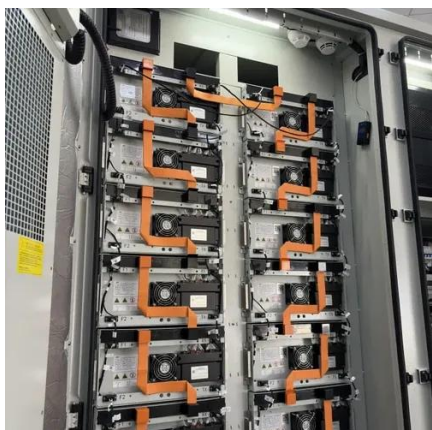
[EDMS 23 301 1 TECHNICAL SPECIFICATION FOR](#)

Generally BESS includes a battery system, power conversion system or hybrid inverter, battery management system, environmental controls, energy management system and safety equipment ...



[Cairo outdoor emergency power supply energy storage](#)

At the exhibition, HGB showcased its latest innovations in military outdoor portable energy storage, emergency start power, and drone batteries, highlighting its commitment to providing advanced and ...



[How battery storage reshapes Egypt's energy future?](#)

There is no renewable power on demand without the ability to store it. Without adequate storage, even moderate energy scenarios require off-grid generation and reliance on fossil fuels. This ...



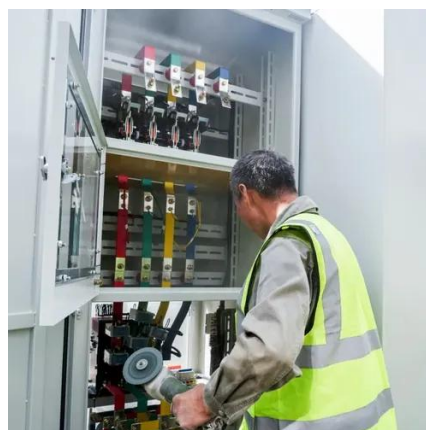
Energy storage system rentals

Rent our offshore-certified energy storage systems for flexible power. Use them as a standalone source for silent operations or integrate them in a hybrid setup with diesel generators.



Mobile Emergency Battery Energy Storage Vehicle or Stationary H ...

The document outlines the technical specifications for Electrical Energy Storage Systems (EESS) by the Egyptian Electricity Holding Company, detailing requirements for mobile and stationary battery systems.



EMERGENCY ENERGY STORAGE

In Egypt, AMEA Power is a key player in the emergency energy storage sector. The company has signed contracts with the Egyptian government to develop two large-scale battery energy storage ...



[Egypt Energy Storage Emergency Power](#)



Supply Manufacturer

Overview Dubai-based AMEA Power is developing a 300 MWh BESS alongside its operating 500 MW Abydos PV power plant in Kom Ombo, Aswan Governorate. When first unveiled in September 2024, ...



Energy Storage Equipment, Energy storage solutions, Lithium battery

Through the light-storage-charging system, this clean energy of solar energy is transferred to the power battery of the vehicle for the vehicle to drive. Huijue Group's energy storage ...

Egypt Deploys Emergency Power Supply Vehicle for Blackout Support

The Emergency Power Supply Vehicle comes equipped with a high-capacity generator system, advanced power distribution panels, and rapid connection interfaces that allow it to deliver ...





Contact Us

For catalog requests, pricing, or partnerships, please visit:

<https://id2market.eu>

Phone: +34 910 56 87 45

Email: info@id2market.eu

Scan the QR code to access our WhatsApp.

